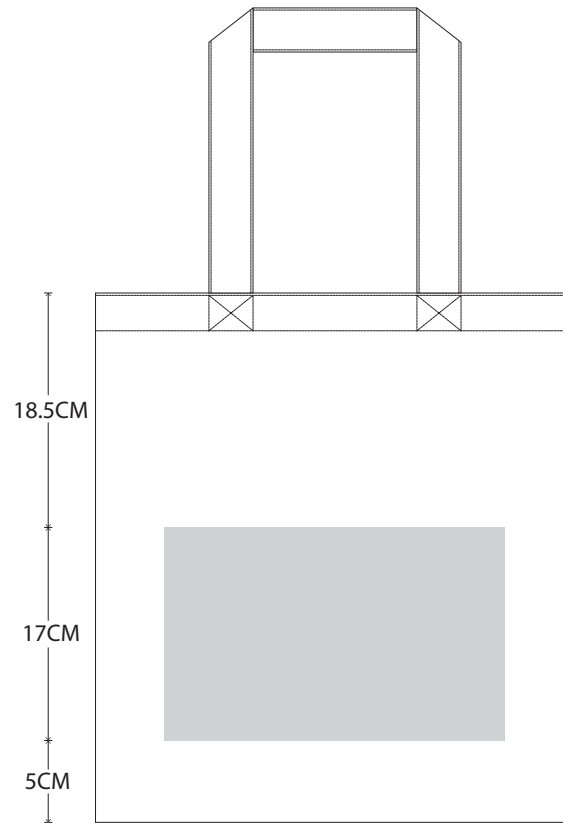
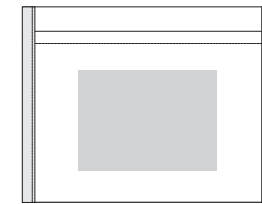


FRONT  
27 x 28.5cm



BACK  
27 x 17cm



INTERNAL POCKET  
11 x 8cm

SCALE 1:6

 PRINTABLE AREAS

JOB DESCRIPTION	COLOURS			MORE INFO
	FRONT	BACK	INTERNAL POCKET	
CLIENT NAME: _____	<input type="checkbox"/> _____	<input type="checkbox"/> _____	<input type="checkbox"/> _____	— All artwork is supplied print ready and to scale.
PROJECT NAME: _____	<input type="checkbox"/> _____	<input type="checkbox"/> _____	<input type="checkbox"/> _____	— Please refer to above mock ups for confirmed print placements and ink colours.
DUE DATE: _____	<input type="checkbox"/> _____	<input type="checkbox"/> _____	<input type="checkbox"/> _____	— PMS colours have been selected by Machine
Please select Pantone colours. For additional print colours, list seperately.				

Daily Tote — Printable Area Sheet

